

Model: TSB18552B-3N7A-D

No.	Item	Symbol	Unit	Specification	No.	Item	Symbol	Unit	Specification
1	Drive	-	-	Δ 3 ϕ 220VAC	13	Rotor Inertia	J-M	kg-cm ²	59.17 \pm 10%
2	Cooling Method	-	-	Totally Enclosed	14	Rated Power Rate	Q-R	Kw/s	116.54
3	Exciting Method	-	-	Permanent Magnet	15	Resistance	Ra	Ω	Δ 0.167 \pm 10%/2 ϕ
4	Resolution	-	-	Δ 17 bit INC	16	Inductance	L	mH	Δ 4.3 \pm 10%/2 ϕ
5	Rated Output	P-R	kW	Δ 5.5	17	Mech. Time Constant	Tm	ms	Δ 0.96 \pm 10%
6	Rated Torque	T-R	N-m	26.26	18	Elect. Time Constant	Te	ms	Δ 25.81 \pm 10%
7	Max. Torque	T-max	N-m	65.65	19	Insulation Class	-	-	Class F
8	Rated Speed	N-R	rpm	2000	20	Operation Temp.	T	$^{\circ}$ C	0-40
9	Rated Current	I-R	A	Δ 22.1	21	Operation Humd.	RH	%	<80
10	Max. Current	I-max	A	Δ 55	22	Storage Temp.	T	$^{\circ}$ C	-20 $^{\circ}$ -60 $^{\circ}$
11	Torque Constant	Kt	N-m/A	Δ 1.19 \pm 10%	23	Storage Humd.	RH	%	<80
12	Voltage constant	Δ Ke	V/Krpm	Δ 79 \pm 10%/2 ϕ	24	Weight	W	kgw	Δ 22.1

Pin	Signal
B	Vcc
I	Gnd
A	
C	
H	SD+
D	SD-
G	
E	
F	FG

Encoder Wiring

Pin	Signal
A	U
B	V
C	W
D	FG

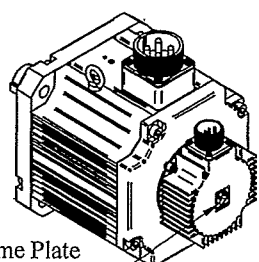
Motor Wiring

Note: Δ

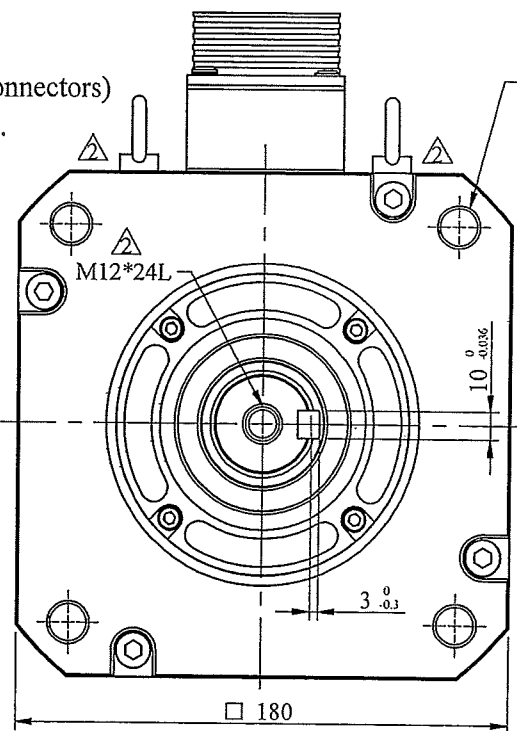
- Motor to be IP67.
(excluding the shaft opening & connectors)
- The detail of Name plate for Spec. refers to the file DC-JXE-002.



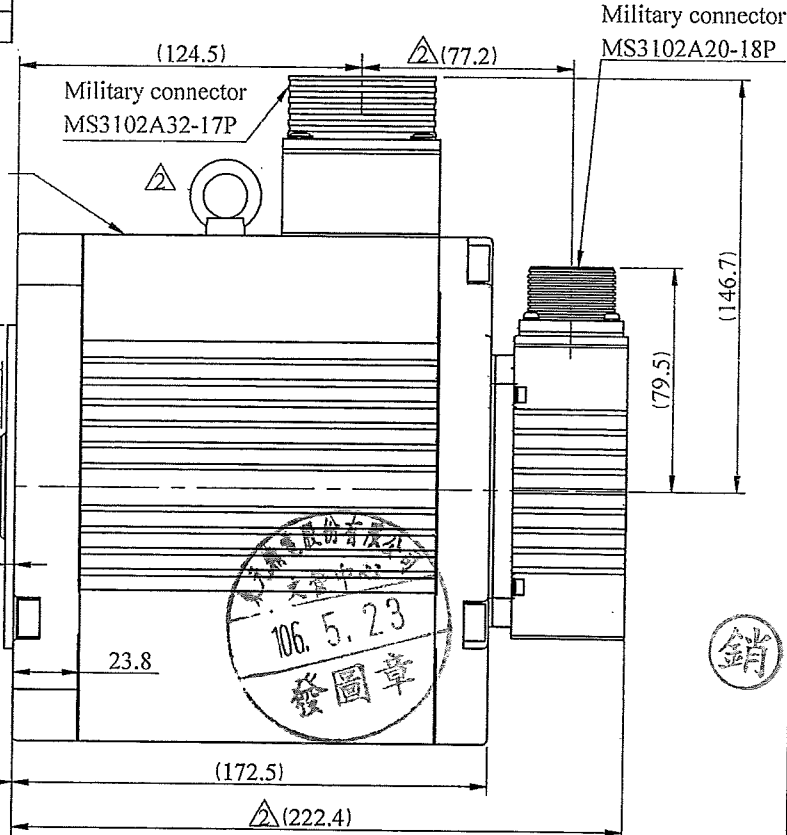
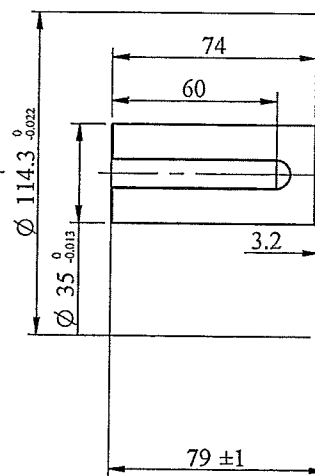
Name Plate for Notice



Name Plate for Notice



4-Ø13.5
P.C.D.Ø200±0.1
Name Plate
for Spec



STANDARD TOLERANCE															
X	\pm 0.5					APVD	<i>Z</i>	<i>2/2/17</i>	SCALE		UNIT	m m	NAME	Servo Motor Outline Drawing	
.X	\pm 0.2					CHKD	<i>Michelle</i>	<i>4-21-17</i>	3RD .A.P		TITLE	TSB18552B-3N7A-D			
.XX	\pm 0.05	02	1S17417-01	Chase	04-17-'17	CHKD									
ANGLE	\pm 30'	01	1S16603-01	Chin	06-06-'16	DWN	Chase	10-16-'15			Dept. Design	DWG.NO.	DTSB18552B3N7AD01		
MATERIAL		REV	DESCRIPTION	SIGNATURE	DATE	SIGNATURE	DATE								